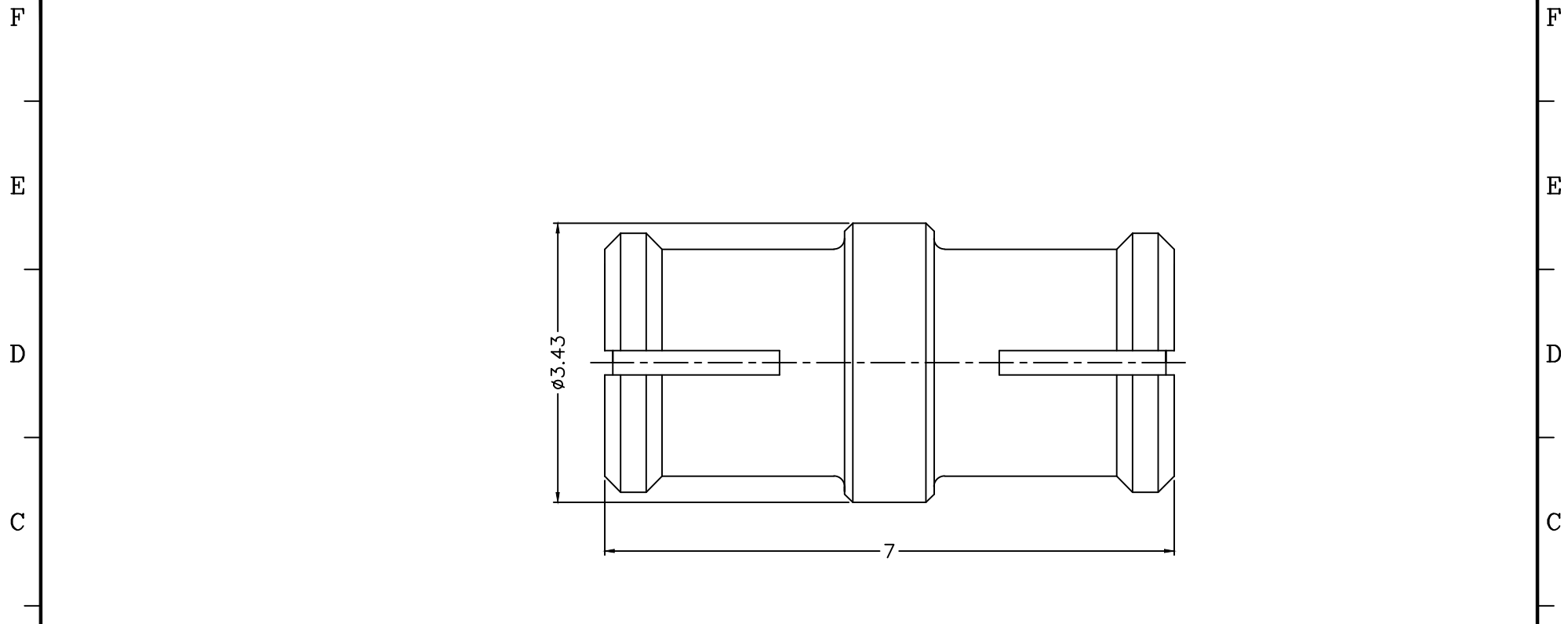


1 2 3 4 5 6 7 8

REVISIONS		
ISS	ZONE	DESCRIPTION\PER REQUEST\DATE



NOTES: FINISH (PLATING THICKNESS IN MICRO-INCHES)
 1. BERYLLIUM COPPER
 2. THIN GOLD OVER NICKEL PL. 50 MIN. THICK OVER COPPER PL. 50 MIN. THICK
 3. GOLD PL. 3 MIN. THICK OVER NICKEL PL. 50 MIN. THICK OVER COPPER PL. 50 MIN. THICK
 4. TEFLON

RoHS COMPLIANT

					DIMENSIONS ARE IN MILLIMETERS		PART NO.		G.L.I.																																									
					UNLESS OTHERWISE SPECIFIED TOLERANCES		APPROVED				TITLE																																							
					0.5-6 = ±0.2		DATE		07-14-'15																																									
					6-30 = ±0.4		CHECKED		DATE																																									
					30-120 = ±0.6		DATE		07-14-'15																																									
					120-315 = ±1		DRAWN		DATE																																									
					315-1000 = ±1.6		ANGELA		07-14-'15																																									
					1000-2000 = ±2.4		SCALE 15/1		ISSUE A																																									
3	CONTACT PIN	NOTE 1	NOTE 3	1	SMP-7071A1-3	<table border="1" style="width: 100%; border-collapse: collapse;"> <tr> <td>NO.</td> <td>DESCRIPTION</td> <td>MATERIAL</td> <td>FINISH</td> <td>Q'TY</td> <td>DRAWING NO.</td> <td>SCALE</td> <td>15/1</td> <td>ISSUE</td> <td>A</td> </tr> <tr> <td>2</td> <td>INSULATOR</td> <td> </td> <td>NATURAL</td> <td>1</td> <td>SMP-7071A1-2</td> <td> </td> <td> </td> <td> </td> <td> </td> </tr> <tr> <td>1</td> <td>BODY</td> <td> </td> <td> </td> <td>1</td> <td>SMP-7071A1-1</td> <td> </td> <td> </td> <td> </td> <td> </td> </tr> <tr> <td> </td> <td> </td> <td> </td> <td> </td> <td> </td> <td> </td> <td> </td> <td> </td> <td> </td> <td> </td> </tr> </table>					NO.	DESCRIPTION	MATERIAL	FINISH	Q'TY	DRAWING NO.	SCALE	15/1	ISSUE	A	2	INSULATOR		NATURAL	1	SMP-7071A1-2					1	BODY			1	SMP-7071A1-1														
NO.	DESCRIPTION	MATERIAL	FINISH	Q'TY	DRAWING NO.						SCALE	15/1	ISSUE	A																																				
2	INSULATOR		NATURAL	1	SMP-7071A1-2																																													
1	BODY			1	SMP-7071A1-1																																													
2	INSULATOR	NOTE 4	NATURAL	1	SMP-7071A1-2	DRAWING NO. SMP-7071A1-50																																												
1	BODY	NOTE 1	NOTE 2	1	SMP-7071A1-1	FILE NO. R:\D\G\DWG\SMP\7071A1\50																																												

1 2 3 4 5 6 7 8

F
E
D
C
B
A

F
E
D
C
B
A