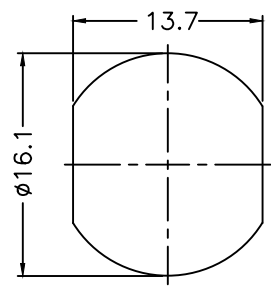
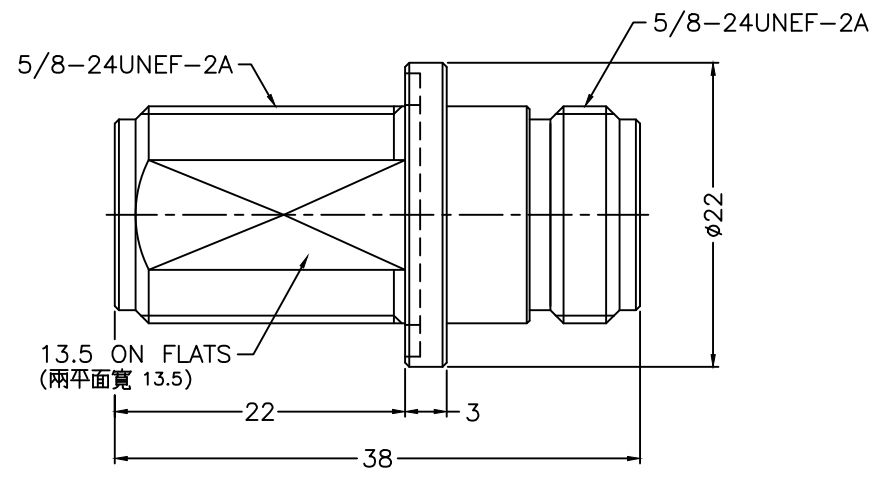
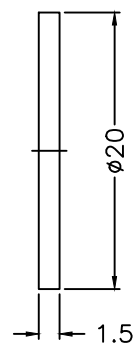
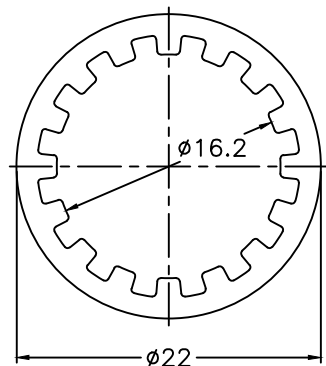
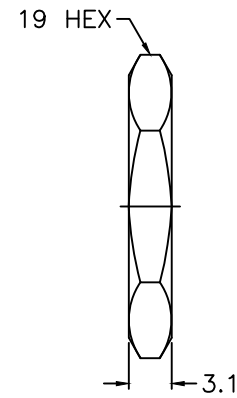


1 2 3 4 5 6 7 8

REVISIONS		
ISS	ZONE	DESCRIPTION\PER REQUEST\DATE
A1	C-8	Ø22 WAS Ø20.7\N/A\08-20-'10
B	A-2	NO.6 WAS CHANGED\RD-DM010510001\05-10-'12
B1	A-2	NO.6'S FINISH WAS CHANGED\N/A\06-27-'12



RECOMMENDED MOUNTING HOLE  
(建議架設孔)



- NOTES: FINISH (PLATING THICKNESS IN MICRO-INCHES)
1. BRASS
  2. NICKEL PL. 100 MIN. THICK OVER COPPER PL. 50 MIN. THICK
  3. PHOSPHOR BRONZE
  4. GOLD PL. 3 MIN. THICK OVER NICKEL PL. 50 MIN. THICK OVER COPPER PL. 50 MIN.
  5. TEFLON
  6. STAINLESS STEEL
  7. PASSIVATED

NO.	DESCRIPTION	MATERIAL	FINISH	Q'TY	DRAWING NO.	
7	HEX NUT		NOTE 1	NOTE 2	1	HN-19-5824-31
6	LOCK WASHER		NOTE 6	NOTE 7	1	LW-162-220-05
5	GASKET	SILICONE	RED		1	GS-160-200-15
4	BODY		NOTE 1	NOTE 2	1	5824-7471A1-4
3	CONTACT PIN		NOTE 3	NOTE 4	1	5824-7471A1-3
2	INSULATOR		NOTE 5	NATURAL	1	5824-7471A1-2
1	HOUSING		NOTE 1	NOTE 2	1	5824-7471A1-1

DIMENSIONS ARE IN MILLIMETERS	
UNLESS OTHERWISE SPECIFIED TOLERANCES	
0.5-6	= ±0.2
6-30	= ±0.4
30-120	= ±0.6
120-315	= ±1
315-1000	= ±1.6
1000-2000	= ±2.4

PART NO.	
APPROVED	DATE 06-27-'12
CHECKED	DATE 06-27-'12
DRAWN	DATE 06-27-'12

<b>G.L.I.</b>	
TITLE N FEMALE TO FEMALE BULKHEAD ADAPTOR	
DRAWING NO. 5824-7471A1-50	
FILE NO. R:\D\G\DWG\5824\7471A1\50	

1 2 3 4 5 6 7 8