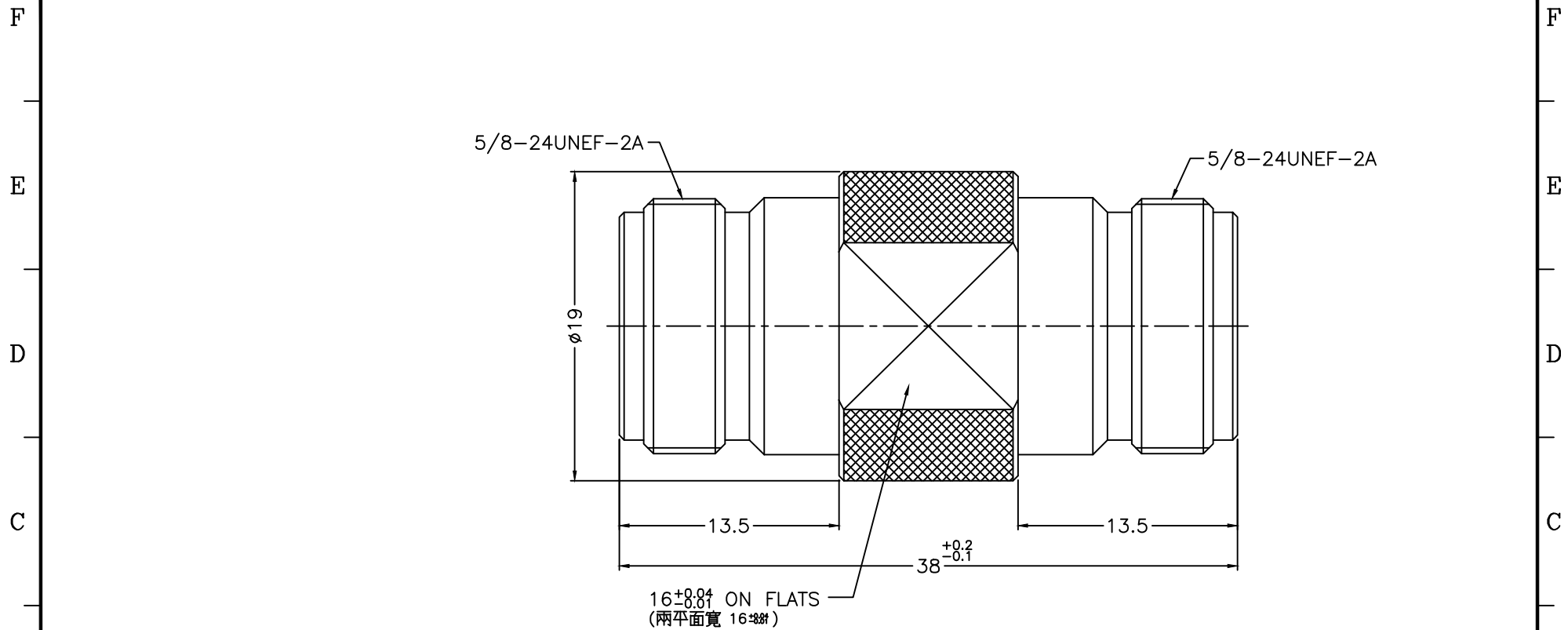


1 2 3 4 5 6 7 8

REVISIONS		
ISS	ZONE	DESCRIPTION\PER REQUEST\DATE



NOTES: FINISH (PLATING THICKNESS IN MICRO-INCHES)  
 1. BRASS  
 2. NICKEL PL. 100 MIN. THICK OVER COPPER PL. 50 MIN. THICK  
 3. PHOSPHOR BRONZE  
 4. GOLD PL. 3 MIN. THICK OVER NICKEL PL. 50 MIN. THICK OVER COPPER PL. 50 MIN. THICK  
 5. TEFLON

RoHS COMPLIANT

DIMENSIONS ARE IN MILLIMETERS					PART NO.		G.L.I.			
UNLESS OTHERWISE SPECIFIED TOLERANCES					APPROVED				TITLE	
4	INNER BODY	NOTE 1	NOTE 2	1	5824-7071B1-4	DATE		N JACK TO JACK ADAPTOR		
3	INSULATOR	NOTE 5	NATURAL	2	5824-7071B1-3-50T	09-22-'15				
2	CONTACT PIN	NOTE 3	NOTE 4	1	5824-7071B1-2	DATE		DRAWING NO. 5824-7071B1-50		
1	BODY	NOTE 1	NOTE 2	1	5824-7071B1-1	09-22-'15				
NO.	DESCRIPTION	MATERIAL	FINISH	Q'TY	DRAWING NO.	SCALE	3/1	ISSUE	A	FILE NO. R:\D\G\DWG\5824\7071B1\50

1 2 3 4 5 6 7 8