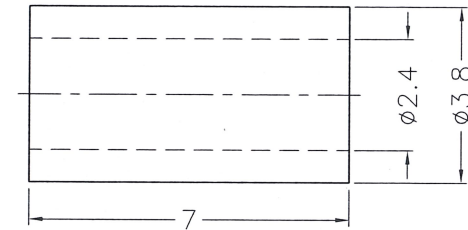
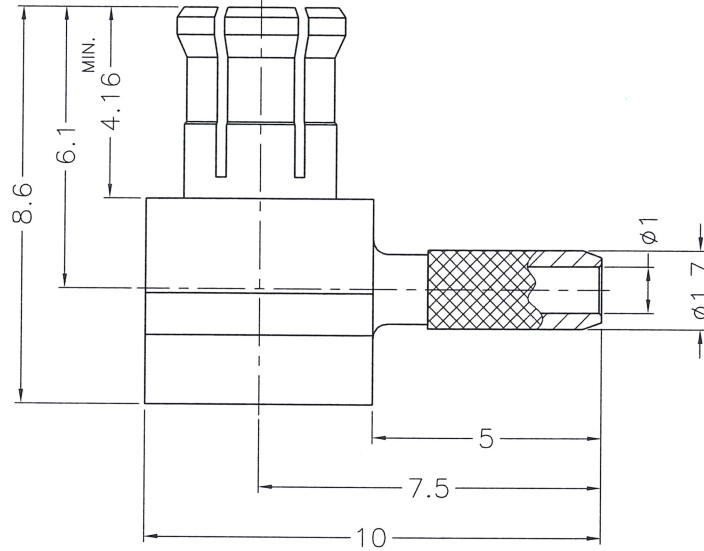
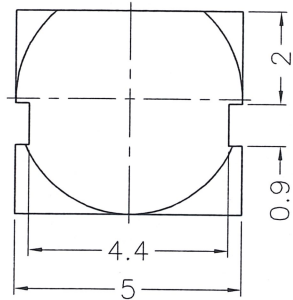


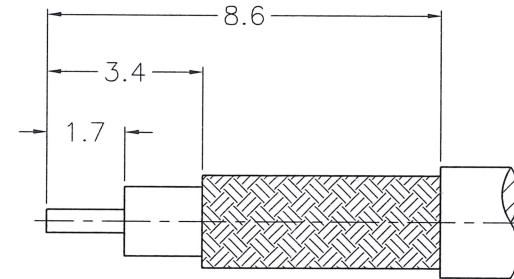
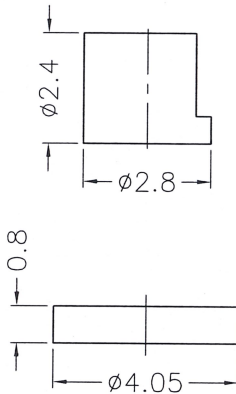
REVISIONS		
ISS	ZONE	DESCRIPTION\PER REQUEST\DATE
B	A-2	NO.1 WAS CHANGED\RD-DM020502001\05-02-'13
B1	C-6	1.7 WAS 2.7\N/A\05-16-'16
C	A-2	NO.2 WAS CHANGED\RD-DM050713001\07-13-'16
C1	D-2	5 WAS 5 SQ.\N/A\10-03-'19



1. CRIMPED FERRULE  
HEX CRIMP SIZE .128"
2. CONTACT PIN TO SOLDER

NOTES: FINISH (PLATING THICKNESS IN MICRO-INCHES)

1. BRASS
2. THIN GOLD OVER NICKEL PL. 50 MIN. THICK OVER COPPER PL. 50 MIN. THICK
3. BERYLLIUM COPPER
4. GOLD PL. 3 MIN. THICK OVER NICKEL PL. 50 MIN. THICK OVER COPPER PL. 50 MIN. THICK
5. PTFE
6. POM



RECOMMENDED  
CABLE STRIPPING DIM'S  
(建議剝線尺寸)



RoHS COMPLIANT

DIMENSIONS ARE IN MILLIMETERS					PART NO.				G.L.I.			
7	FERRULE	COPPER	NOTE 2		UNLESS OTHERWISE SPECIFIED TOLERANCES 0.5-6 = ±0.2 6-30 = ±0.4 30-120 = ±0.6 120-315 = ±1 315-1000 = ±1.6 1000-2000 = ±2.4				TITLE MCX R/A CRIMP PLUG (FOR RG-178, 196 CABLE)			
6	COVER	NOTE 1	NOTE 2						DRAWING NO. 400-1112B1-01-50			
5	INSULATOR	NOTE 6	NATURAL		APPROVED	<i>[Signature]</i>	DATE	10-03-'19	FILE NO. R:\D\G\DWG\400\1112B1\01\50-C1			
4	CONTACT PIN	NOTE 1	NOTE 4		CHECKED	<i>[Signature]</i>	DATE	10-03-'19				
3	INSULATOR	NOTE 5	NATURAL		DRAWN	Steven	DATE	10-03-'19				
2	BODY	NOTE 3	NOTE 2									
1	HOUSING	NOTE 1	NOTE 2									
NO.	DESCRIPTION	MATERIAL	FINISH	Q'TY	DRAWING NO.	SCALE	6/1	ISSUE	C1			