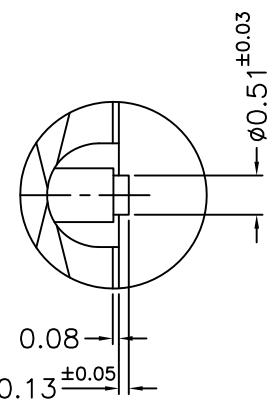
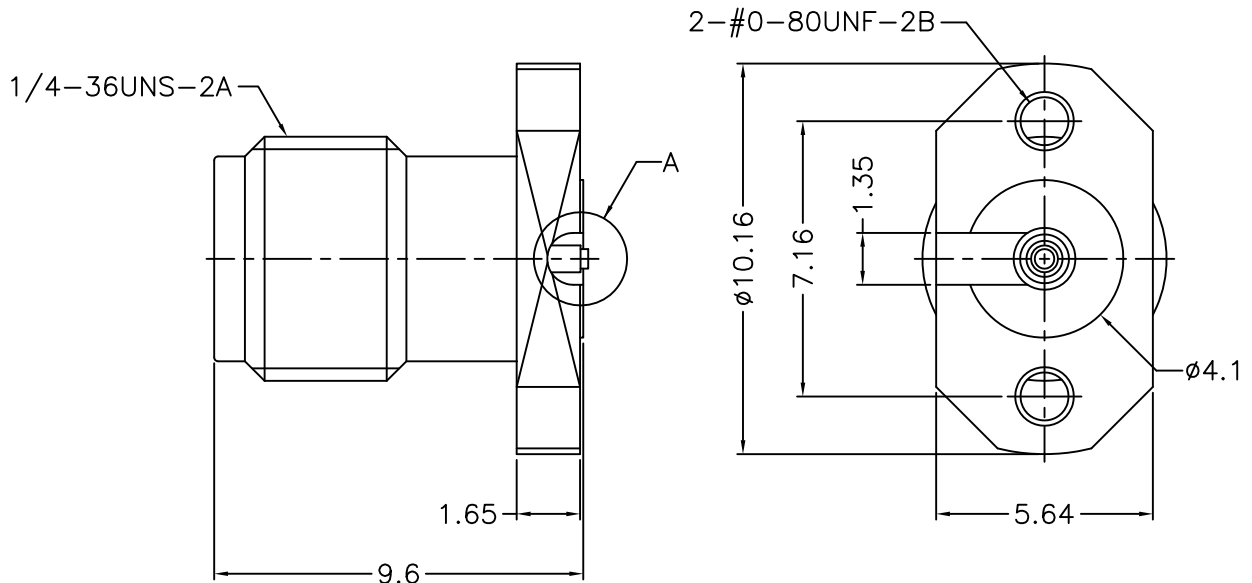
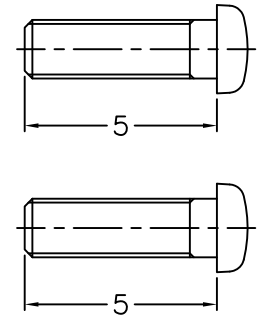


1 2 3 4 5 6 7 8

REVISIONS			
ISS	ZONE	DESCRIPTION\PER REQUEST\DATE	



A DETAIL (10/1)
(A 詳圖)



RoHS COMPLIANT

- NOTES: FINISH (PLATING THICKNESS IN MICRO-INCHES)
1. STAINLESS STEEL
 2. PASSIVATED
 3. BERYLLIUM COPPER
 4. GOLD PL. 10 MIN. THICK OVER NICKEL PL. 50 MIN. THICK OVER COPPER PL. 50 MIN. THICK
 5. ULTEM 1000

					DIMENSIONS ARE IN MILLIMETERS				PART NO.		G.L.I.				
					UNLESS OTHERWISE SPECIFIED TOLERANCES				APPROVED					DATE	
					0.5-6 = ±0.2						08-19-'20		TITLE		
					6-30 = ±0.4				CHECKED		DATE		2.92mm PANEL RECEPT. JACK,		
					30-120 = ±0.6				DRAWN		DATE		DRAWING NO.		
					120-315 = ±1				ALAN		08-19-'20		292-6551F5-50		
					315-1000 = ±1.6						DATE		FILE NO. R:\D\DWG\292\6551F5\50		
					1000-2000 = ±2.4						08-19-'20				
					SCALE 5/1 ISSUE 1										
5	BOLT	NOTE 1	NOTE 2												
4	BODY	NOTE 1	NOTE 2												
3	RING	NOTE 1	NOTE 2												
2	INSULATOR	NOTE 5	NATURAL												
1	CONTACT PIN	NOTE 3	NOTE 4												
NO.	DESCRIPTION	MATERIAL	FINISH	Q'TY	DRAWING NO.	SCALE	5/1	ISSUE	1						

1 2 3 4 5 6 7 8

F
E
D
C
B
A

F
E
D
C
B
A