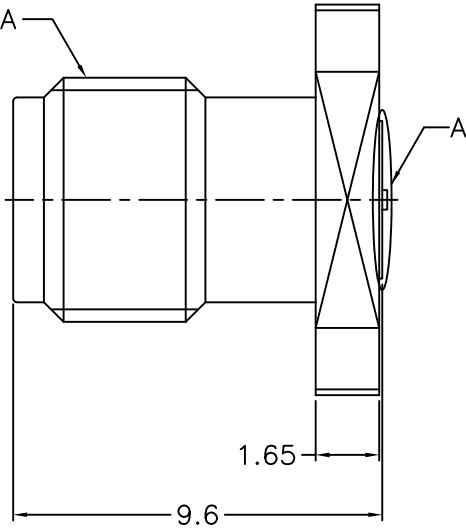
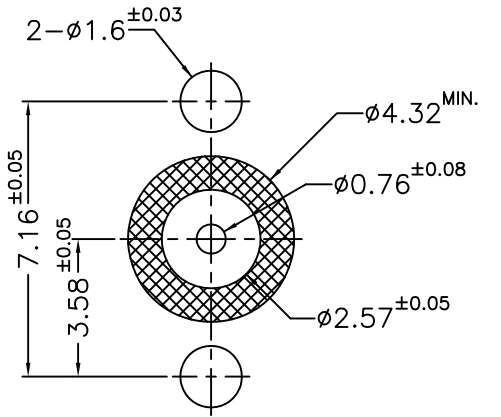
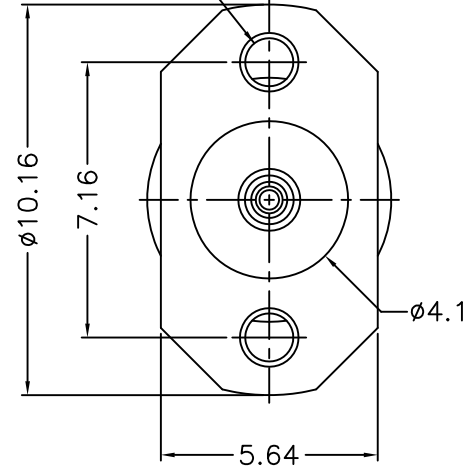


REVISIONS			
ISS	ZONE	DESCRIPTION\PER REQUEST\DATE	

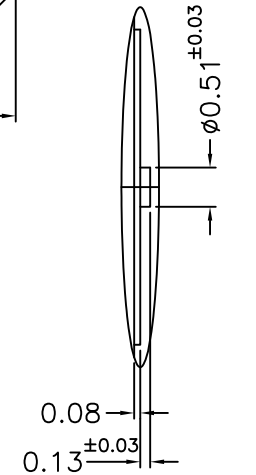
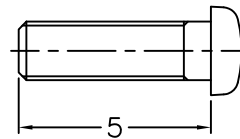
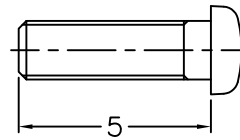
1/4-36UNS-2A



2-#0-80UNF-2B



PCB MOUNTING HOLE  
(印刷电路板架設孔)



A DETAIL (10/1)  
(A 詳圖)

NOTES: FINISH (PLATING THICKNESS IN MICRO-INCHES)

1. STAINLESS STEEL
2. PASSIVATED
3. BERYLLIUM COPPER
4. GOLD PL. 10 MIN. THICK OVER NICKEL PL. 50 MIN. THICK OVER COPPER PL. 50 MIN. THICK
5. ULTEM 1000

RoHS COMPLIANT

					DIMENSIONS ARE IN MILLIMETERS				PART NO.		<b>G.L.I.</b>			
					UNLESS OTHERWISE SPECIFIED TOLERANCES				APPROVED					DATE
					0.5-6 = ±0.2						08-18-'20		TITLE	
					6-30 = ±0.4				CHECKED		DATE		2.92mm PANEL RECEPT. JACK,	
					30-120 = ±0.6				DRAWN		DATE		DRAWING NO.	
					120-315 = ±1				ALAN		08-18-'20		292-6551F4-50	
					315-1000 = ±1.6						DATE		FILE NO. R:\D\DWG\292\6551F4\50	
					1000-2000 = ±2.4						08-18-'20			
					SCALE 5/1 ISSUE 1									

NO.	DESCRIPTION	MATERIAL	FINISH	Q'TY	DRAWING NO.
5	BOLT		NOTE 1		
4	BODY		NOTE 1		
3	RING		NOTE 1		
2	INSULATOR		NOTE 5	NATURAL	
1	CONTACT PIN		NOTE 3	NOTE 4	