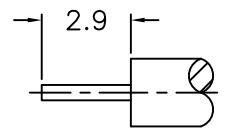
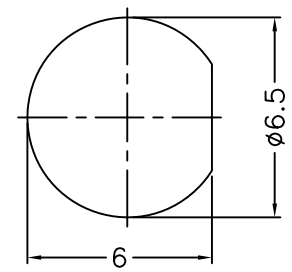


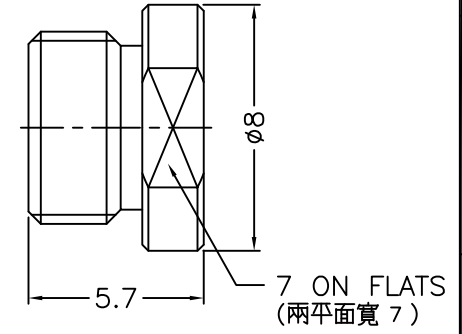
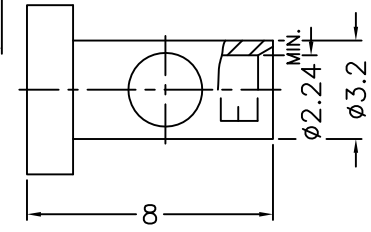
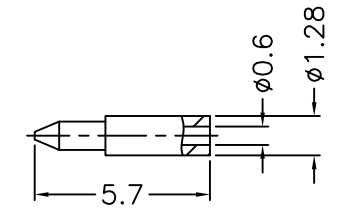
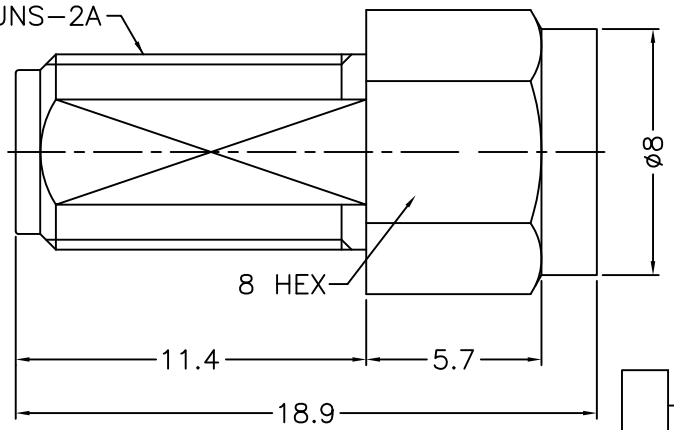
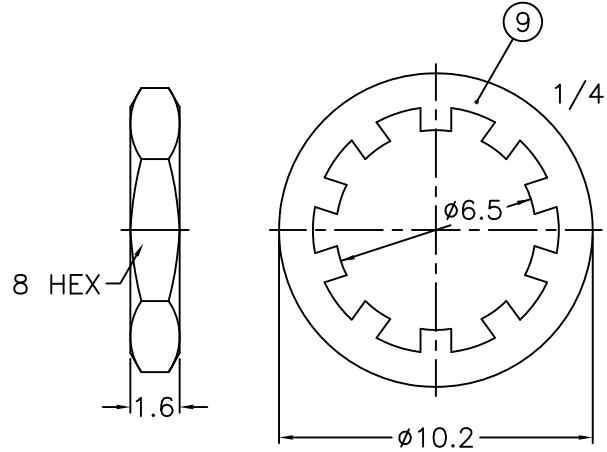
REVISIONS			
ISS	ZONE	DESCRIPTION\PER REQUEST\DATE	
B	A-2	NO.5 WAS CHANGED\RD-DM081205002\12-05-'19	



RECOMMENDED  
CABLE STRIPPING DIM'S  
(建議剝線尺寸)



RECOMMENDED  
MOUNTING HOLE  
(建議架設孔)



- NOTES: FINISH (PLATING THICKNESS IN MICRO-INCHES)
- BRASS
  - GOLD PL. 3 MIN. THICK OVER NICKEL PL. 50 MIN. THICK OVER COPPER PL. 50 MIN. THICK
  - GOLD PL. 10 MIN. THICK OVER NICKEL PL. 50 MIN. THICK OVER COPPER PL. 50 MIN. THICK
  - BERYLLIUM COPPER
  - ULTEM 1000
  - STAINLESS STEEL
  - PASSIVATED
  - PTFE

- CONTACT PIN TO SOLDER
- MAX. PANEL THICKNESS=3.2mm

RoHS COMPLIANT

10	HEX NUT	NOTE 6	NOTE 7		
9	LOCK WASHER	NOTE 6	NOTE 7		
8	NUT	NOTE 6	NOTE 7		
7	BRAID HOLDER	NOTE 1	NOTE 2		
6	INSULATOR	NOTE 8	NATURAL		
5	CONTACT PIN	NOTE 1	NOTE 2		
4	RING	NOTE 6	NOTE 7		
3	CONTACT PIN	NOTE 4	NOTE 3		
2	INSULATOR	NOTE 5	NATURAL		
1	BODY	NOTE 6	NOTE 7		
NO.	DESCRIPTION	MATERIAL	FINISH	Q'TY	DRAWING NO.

DIMENSIONS ARE IN MILLIMETERS			
UNLESS OTHERWISE SPECIFIED TOLERANCES			
0.5-6	=	±0.2	
6-30	=	±0.4	
30-120	=	±0.6	
120-315	=	±1	
315-1000	=	±1.6	
1000-2000	=	±2.4	
SCALE	4/1	ISSUE	B

PART NO.	
APPROVED	DATE 12-05-'19
CHECKED	DATE 12-05-'19
DRAWN	DATE 12-05-'19

<b>G.L.I.</b>	
TITLE 2.92mm DIRECT SOLDER BULKHEAD JACK (FOR .085, .086, RG-405/U CABLE)	
DRAWING NO. 292-6481S1-28-50	
FILE NO. R:\D\DWG\292\6481S1\28\50-B	