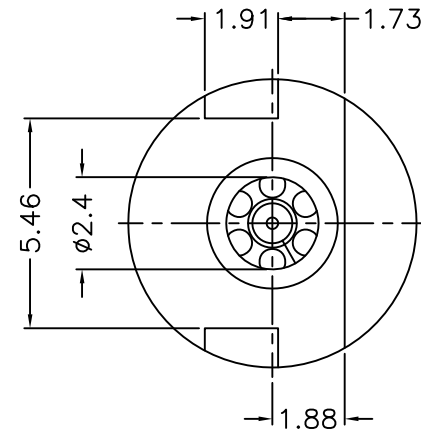
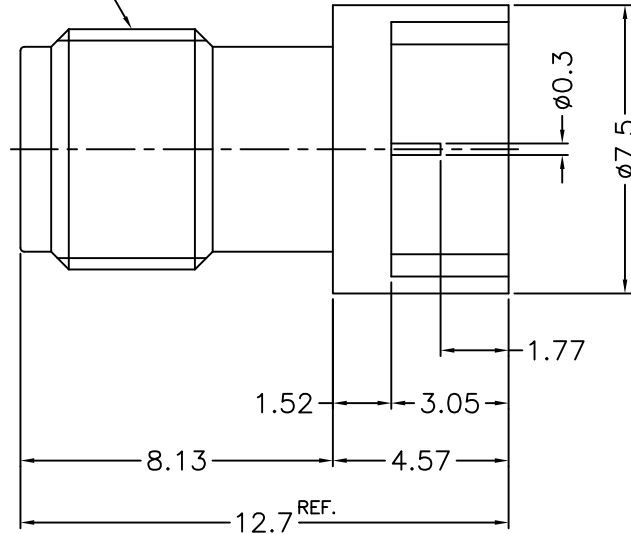


1	2		3		4		5		6		7		8	
REVISIONS														
ISS	ZONE	DESCRIPTION\PER REQUEST\DATE												

1/4-36UNS-2A



NOTES: FINISH (PLATING THICKNESS IN MICRO-INCHES)

1. BERYLLIUM COPPER
2. GOLD PL. 10 MIN. THICK OVER NICKEL PL. 50 MIN. THICK OVER COPPER PL. 50 MIN. THICK
3. GOLD PL. 5 MIN. THICK OVER ELECTROLESS NICKEL PL. 100 MIN. THICK
4. STAINLESS STEEL

RoHS COMPLIANT

					DIMENSIONS ARE IN MILLIMETERS				PART NO.			G.L.I.			
					UNLESS OTHERWISE SPECIFIED TOLERANCES				APPROVED						DATE
					0.5-6 = ±0.2							7-09-'18			
					6-30 = ±0.4				CHECKED			DATE			
					30-120 = ±0.6							7-09-'18			
					120-315 = ±1				DRAWN			DATE			
					315-1000 = ±1.6							7-09-'18			
					1000-2000 = ±2.4							FILE NO. R:\D\G\DWG\292\6251SA2\50			
					SCALE 5/1 ISSUE A										
4	RING	NOTE 4	NOTE 3	1	292-6251SA2-4										
3	INSULATOR	ULTEM 1000	NATURAL	1	292-6251S1-3-50U										
2	CONTACT PIN	NOTE 1	NOTE 2	1	292-6251S1-2										
1	BODY	NOTE 4	NOTE 3	1	292-6251SA2-1										
NO.	DESCRIPTION	MATERIAL	FINISH	Q'TY	DRAWING NO.	SCALE	5/1	ISSUE	A						

1	2		3		4		5		6		7		8	
---	---	--	---	--	---	--	---	--	---	--	---	--	---	--