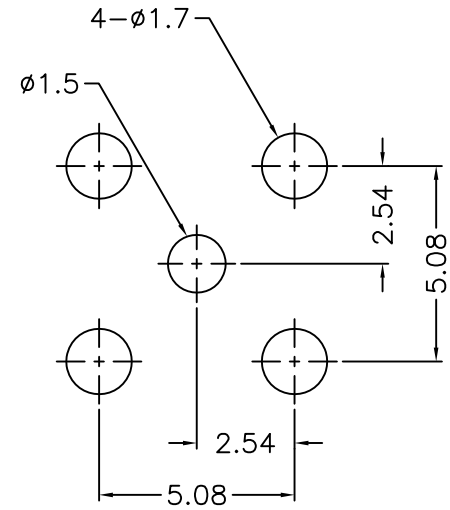
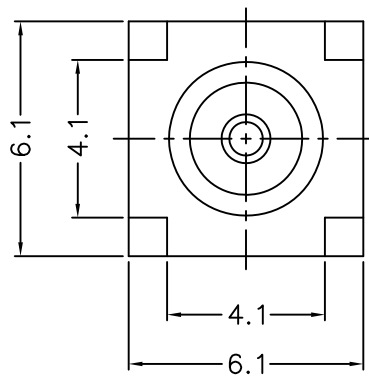
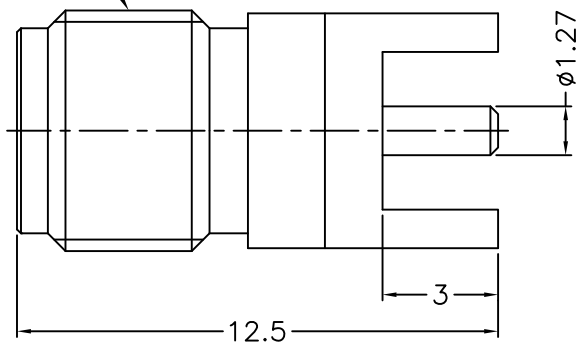


REVISIONS		
ISS	ZONE	DESCRIPTION\PER REQUEST\DATE
B	A-2	DESIGN WAS CHANGED\RD-DM080605001,RD-DM080605002 \06-05-'19

1/4-36UNS-2A



PCB MOUNTING HOLE  
(印刷电路板架設孔)

NOTES: FINISH (PLATING THICKNESS IN MICRO-INCHES)

- 1. STAINLESS STEEL
- 2. BERYLLIUM COPPER
- 3. GOLD PL. 5 MIN. THICK OVER ELECTROLESS NICKEL PL. 100 MIN. THICK
- 4. GOLD PL. 10 MIN. THICK OVER NICKEL PL. 50 MIN. THICK OVER COPPER PL. 50 MIN. THICK

RoHS COMPLIANT

					DIMENSIONS ARE IN MILLIMETERS				PART NO.			<b>G.L.I.</b>			
					UNLESS OTHERWISE SPECIFIED TOLERANCES				APPROVED						DATE
					0.5-6 = ±0.2							06-05-'19			
					6-30 = ±0.4				CHECKED			DATE			
					30-120 = ±0.6							06-05-'19			
					120-315 = ±1				DRAWN			DATE			
					315-1000 = ±1.6							06-05-'19			
					1000-2000 = ±2.4							FILE NO. R:\D\G\DWG\292\6251SA1\50-B			
4	RING	NOTE 1	NOTE 3	1								292-6251SA1-50			
3	INSULATOR	ULTEM 1000	NATURAL	1											
2	CONTACT PIN	NOTE 2	NOTE 4	1											
1	BODY	NOTE 1	NOTE 3	1											
NO.	DESCRIPTION	MATERIAL	FINISH	Q'TY	DRAWING NO.	SCALE	5/1	ISSUE	B						