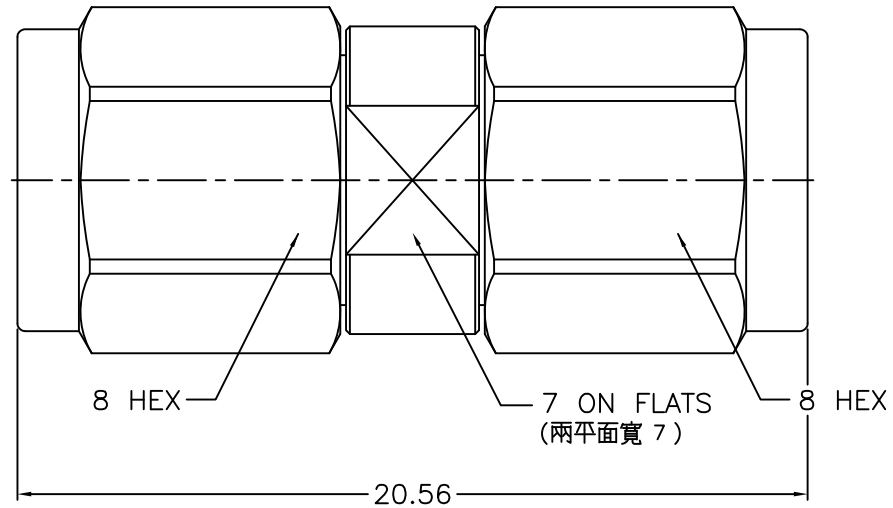


|           |      |                              |   |   |   |   |   |   |
|-----------|------|------------------------------|---|---|---|---|---|---|
| 1         | 2    |                              | 3 | 4 | 5 | 6 | 7 | 8 |
| REVISIONS |      |                              |   |   |   |   |   |   |
| ISS       | ZONE | DESCRIPTION\PER REQUEST\DATE |   |   |   |   |   |   |
|           |      |                              |   |   |   |   |   |   |



NOTES: FINISH (PLATING THICKNESS IN MICRO-INCHES)

1. BRASS
2. BERYLLIUM COPPER
3. NICKEL PL. 100 MIN. THICK OVER COPPER PL. 50 MIN. THICK
4. GOLD PL. 10 MIN. THICK OVER NICKEL PL. 50 MIN. THICK OVER COPPER PL. 50 MIN. THICK
5. ULTEM 1000
6. STAINLESS STEEL
7. PASSIVATED

RoHS COMPLIANT

|  |  |  |  |  |  |                                       |  |  |  |          |  |  |                            |  |  |
|--|--|--|--|--|--|---------------------------------------|--|--|--|----------|--|--|----------------------------|--|--|
|  |  |  |  |  |  | DIMENSIONS ARE IN MILLIMETERS         |  |  |  | PART NO. |  |  | <b>G.L.I.</b>              |  |  |
|  |  |  |  |  |  | UNLESS OTHERWISE SPECIFIED TOLERANCES |  |  |  | APPROVED |  |  |                            |  |  |
|  |  |  |  |  |  | 0.5-6 = ±0.2                          |  |  |  | CHECKED  |  |  | DATE 12-01-'20             |  |  |
|  |  |  |  |  |  | 6-30 = ±0.4                           |  |  |  | DRAWN    |  |  | DATE 12-01-'20             |  |  |
|  |  |  |  |  |  | 30-120 = ±0.6                         |  |  |  | ALAN     |  |  | DATE 12-01-'20             |  |  |
|  |  |  |  |  |  | 120-315 = ±1                          |  |  |  |          |  |  | TITLE                      |  |  |
|  |  |  |  |  |  | 315-1000 = ±1.6                       |  |  |  |          |  |  | 2.4mm PLUG TO PLUG ADAPTOR |  |  |
|  |  |  |  |  |  | 1000-2000 = ±2.4                      |  |  |  |          |  |  | DRAWING NO.                |  |  |
|  |  |  |  |  |  |                                       |  |  |  |          |  |  | 24-2071S1-50               |  |  |
|  |  |  |  |  |  |                                       |  |  |  |          |  |  | FILE NO.                   |  |  |
|  |  |  |  |  |  |                                       |  |  |  |          |  |  | R:\D\DWG\24\2071S1\50      |  |  |

|     |               |          |         |      |             |
|-----|---------------|----------|---------|------|-------------|
| 6   | SHELL         | NOTE 6   | NOTE 7  |      |             |
| 5   | RETAINER RING | NOTE 2   | NOTE 3  |      |             |
| 4   | BODY          | NOTE 6   | NOTE 7  |      |             |
| 3   | RING          | NOTE 1   | NOTE 3  |      |             |
| 2   | INSULATOR     | NOTE 5   | NATURAL |      |             |
| 1   | CONTACT PIN   | NOTE 2   | NOTE 4  |      |             |
| NO. | DESCRIPTION   | MATERIAL | FINISH  | Q'TY | DRAWING NO. |

1 2 3 4 5 6 7 8