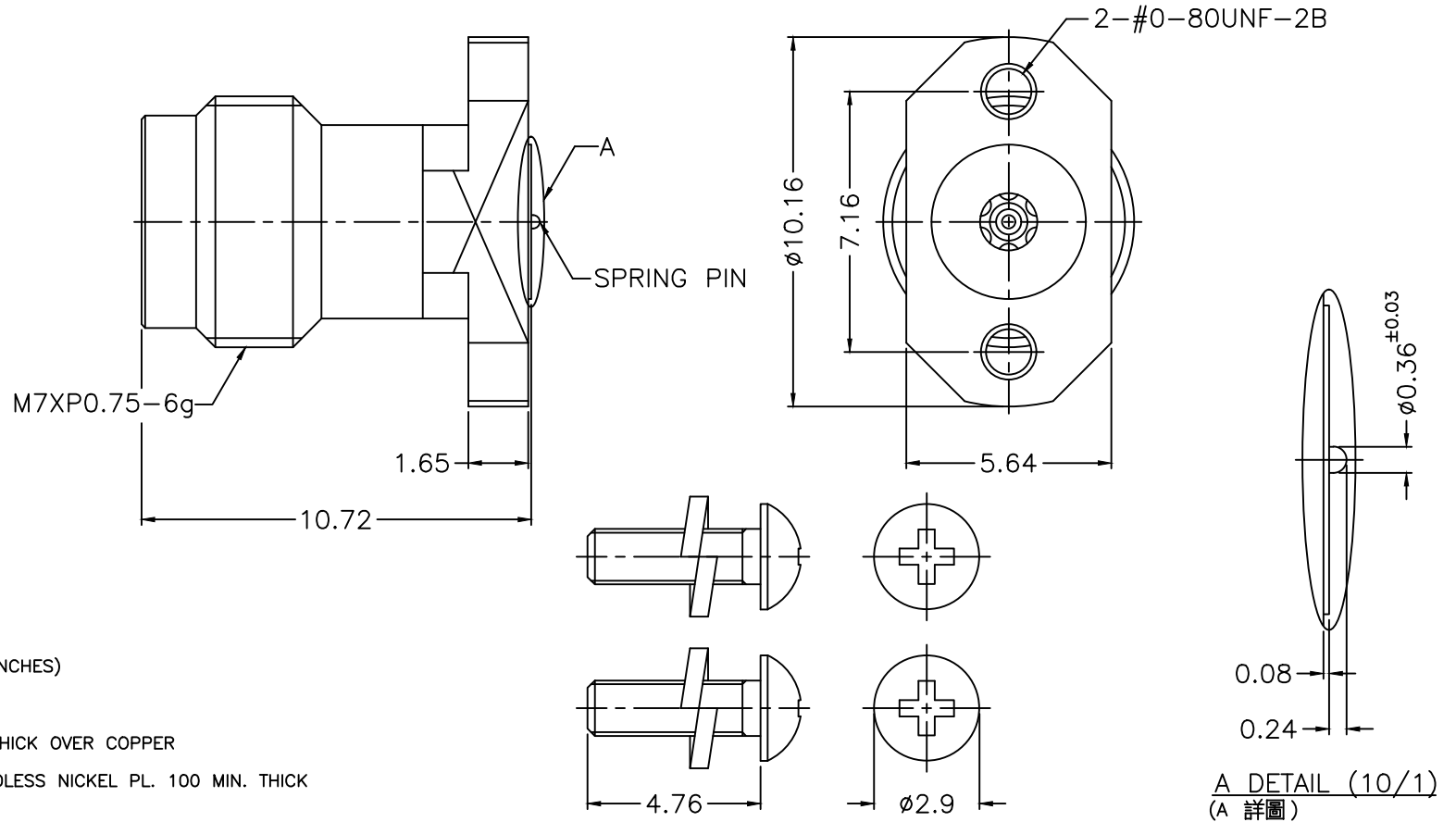


REVISIONS

ISS	ZONE	DESCRIPTION\PER REQUEST\DATE



- NOTES: FINISH (PLATING THICKNESS IN MICRO-INCHES)
1. STAINLESS STEEL
  2. PASSIVATED
  3. BERYLLIUM COPPER
  4. THIN GOLD OVER NICKEL PL. 50 MIN. THICK OVER COPPER PL. 50 MIN. THICK
  5. GOLD PL. 10 MIN. THICK OVER ELECTROLESS NICKEL PL. 100 MIN. THICK
  6. ULTEM 1000

RoHS COMPLIANT

9	WASHER	NOTE 1	NOTE 2		
8	BOLT	NOTE 1	NOTE 2		
7	BODY	NOTE 1	NOTE 2		
6	RING	NOTE 1	NOTE 2		
5	CONTACT PIN	NOTE 3	NOTE 5		
4	INSULATOR	NOTE 6	NATURAL		
3	SPRING	SWP80	NOTE 4		
2	CONTACT PIN	NOTE 3	NOTE 5		
1	CONTACT PIN	NOTE 3	NOTE 5		
NO.	DESCRIPTION	MATERIAL	FINISH	Q'TY	DRAWING NO.

DIMENSIONS ARE IN MILLIMETERS			
UNLESS OTHERWISE SPECIFIED TOLERANCES			
0.5-6	=	±	0.2
6-30	=	±	0.4
30-120	=	±	0.6
120-315	=	±	1
315-1000	=	±	1.6
1000-2000	=	±	2.4

PART NO.		APPROVED	DATE
CHECKED			DATE
DRAWN			DATE
ALAN			11-24-'21

<b>G.L.I.</b>	
TITLE	2.4mm PANEL RECEPT. JACK, SPRING PIN
DRAWING NO.	24-6551F1-50
FILE NO.	R:\D\DWG\24\6551F1\50

A DETAIL (10/1)  
(A 詳圖)