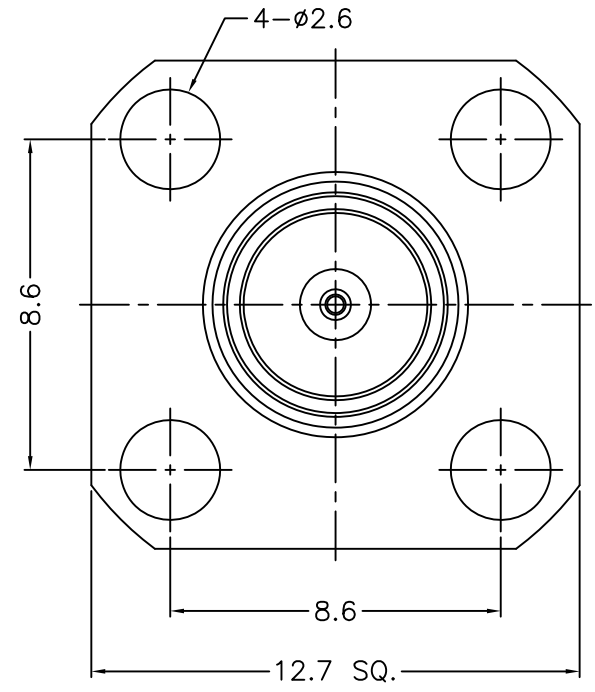
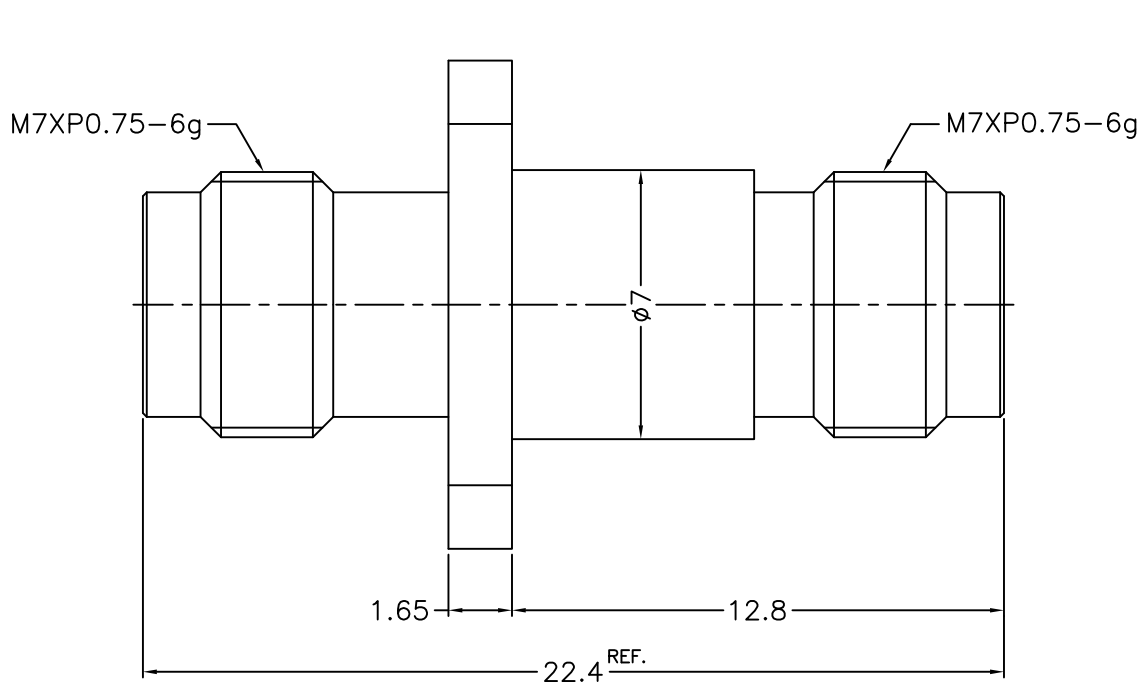


REVISIONS		
ISS	ZONE	DESCRIPTION\PER REQUEST\DATE



NOTES: FINISH (PLATING THICKNESS IN MICRO-INCHES)
 1. BRASS
 2. BERYLLIUM COPPER
 3. NICKEL PL. 100 MIN. THICK OVER COPPER PL. 50 MIN. THICK
 4. GOLD PL. 10 MIN. THICK OVER NICKEL PL. 50 MIN. THICK OVER COPPER PL. 50 MIN. THICK
 5. ULTEM 1000
 6. STAINLESS STEEL
 7. PASSIVATED

RoHS COMPLIANT

NO.	DESCRIPTION	MATERIAL	FINISH	Q'TY	DRAWING NO.
4	RING	NOTE 1	NOTE 3		
3	CONTACT PIN	NOTE 2	NOTE 4		
2	INSULATOR	NOTE 5	NATURAL		
1	BODY	NOTE 6	NOTE 7		

DIMENSIONS ARE IN MILLIMETERS			
UNLESS OTHERWISE SPECIFIED TOLERANCES			
0.5-6	=	±0.2	
6-30	=	±0.4	
30-120	=	±0.6	
120-315	=	±1	
315-1000	=	±1.6	
1000-2000	=	±2.4	
SCALE	5/1	ISSUE	1

PART NO.	
APPROVED	DATE 01-18-'21
CHECKED	DATE 01-18-'21
DRAWN ALAN	DATE 01-18-'21

G.L.I.	
TITLE 1.85mm PANEL JACK TO JACK ADAPTOR	
DRAWING NO. 185-7571S1-50	
FILE NO. R:\D\DWG\185\7571S1\50	